

Z1 G37 REPLACEMENT STEERING WHEEL INSTALLATION MANUAL



This Installation Manual is intended for the following models:

2008-2015

Infiniti G37

PROLOGUE:

Study these instructions completely before proceeding to assembly. The installer must have a thorough knowledge of automotive systems operation. If unfamiliar with any of the concepts outlined in this instruction, we recommend the installation be completed by a qualified professional.

WARNING!

Extreme caution should be taken when performing maintenance or performance upgrades to your vehicle. Please observe and abide by any Warning or Caution labels placed on the various components and tools used when servicing your vehicle. If you have any questions regarding installation or the various components included with the Z1 Motorsports G37 Replacement Steering Wheel, consult with a Professional Mechanic, or contact Z1 Motorsports for more information.

PARTS INCLUDED:

Item	Quantity	Description
1	1	Steering Wheel

TOOLS REQUIRED:

- Ratchet
- Ratchet Extension(s)
- Assorted Metric Wrenches
- Assorted Metric Sockets
- Torque Wrench
- TORX Tamper Resistant T30 Bit
- TORX T40 Bit
- Impact Gun (Recommended)
- Steering Wheel Puller (Recommended)
- Screwdrivers

SAFETY REQUIREMENTS:

- Always wear safety glasses and any necessary protective garments. If using any fluids, chemicals, or solvents, a respirator is recommended.
- Always turn the ignition to the OFF position and disconnect the NEGATIVE battery terminal.
- Always use properly rated jack stands when working under your vehicle.
- Always keep limbs and parts away from moving drivetrain parts.
- Only operate drivetrain in safe space and well-ventilated areas.

BEFORE YOU BEGIN:

Remove contents from the Z1 Motorsports G37 Replacement Steering Wheel and verify that ALL necessary hardware is present.

PROCEDURE:

1. Place the transmission in Park position (or in Reverse gear if equipped with a manual transmission). Apply the parking brake.
2. Turn the Steering Wheel until it and the front wheels are straight.
3. Open and support the hood of the vehicle.
4. Disconnect the (-) **NEGATIVE** battery terminal.
5. Let the car sit for half an hour, this will allow all the power to drain out to prevent the Airbag from potentially going off.
6. Remove the (2) two Covers hiding the (2) two bolts securing the Airbag to Steering Wheel. *Figure 1.*
7. Remove the (2) two bolts securing the Airbag to the Steering Wheel. These need a [TORX T30 Bit](#). It is recommended to replace these bolts after removal. *Figure 1.*

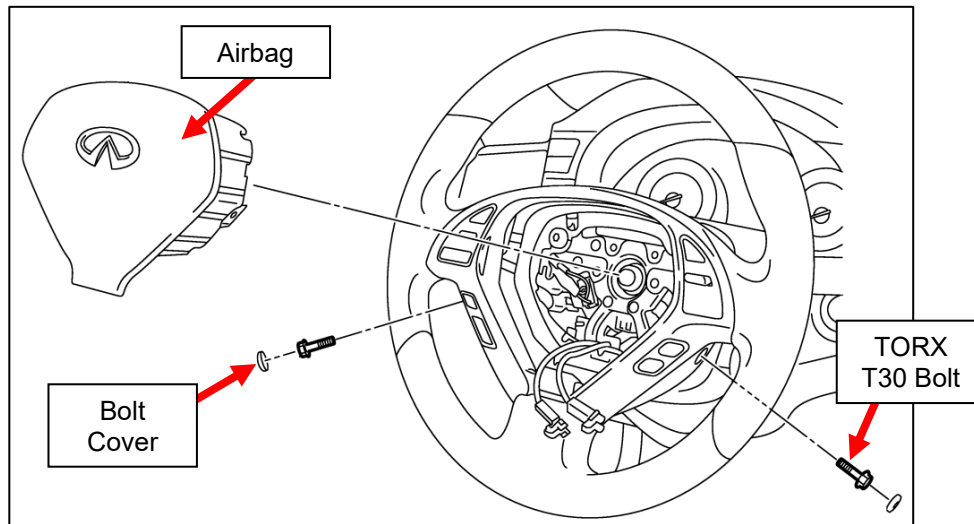


Figure 1

8. Remove the Airbag from the Steering Wheel, it is held on by (2) two connectors. Disconnect them and remove the Airbag. *Figure 2.*



Figure 2

NOTE: The connectors have a small clip that must be pushed upwards to remove. *Figure 3.*

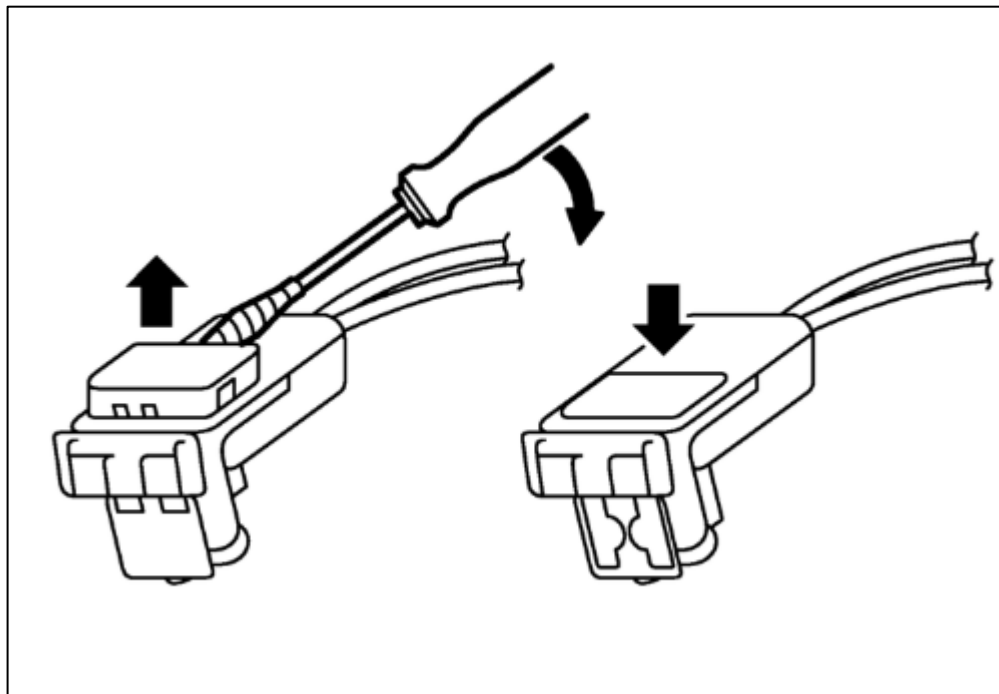


Figure 3

9. Disconnect the Horn Connector and the Gray Connector for the Button Controls on the Steering Wheel.
Figure 4.

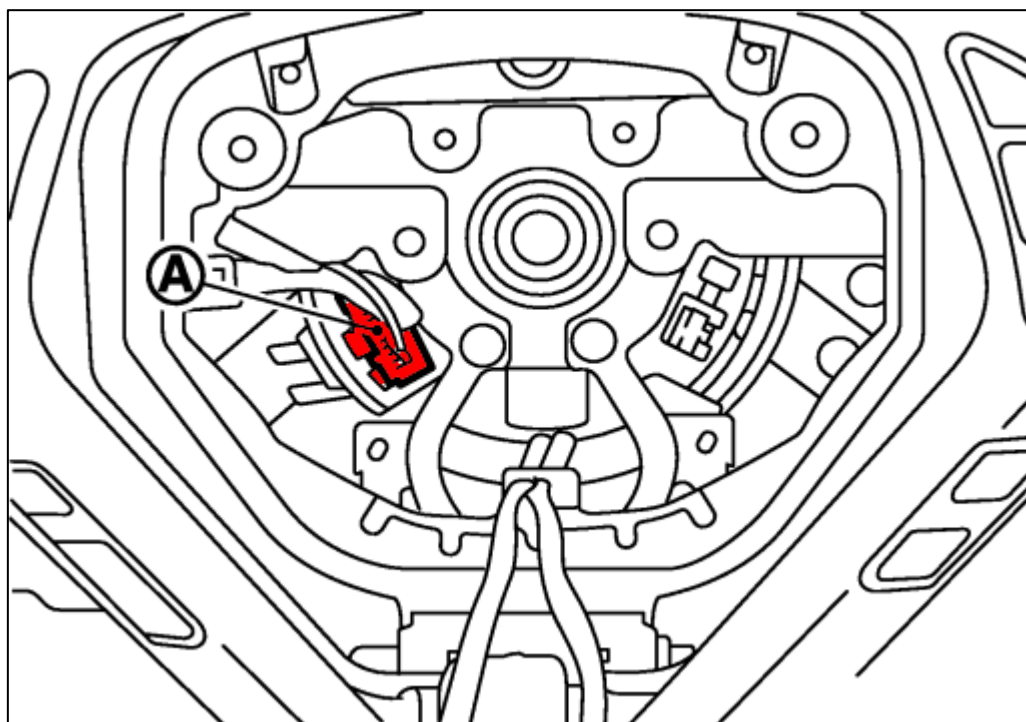
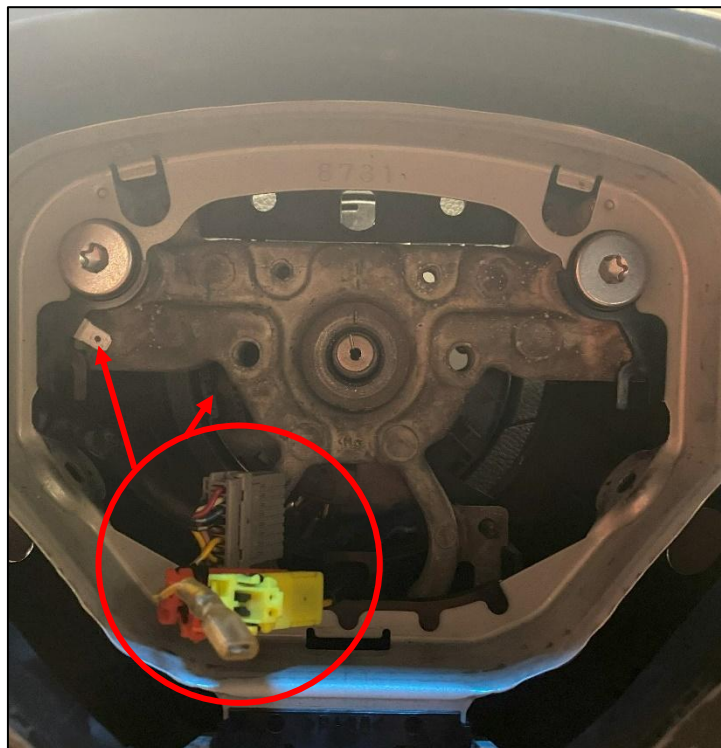


Figure 4

10. Using an impact gun, remove the nut in the center of the Steering Wheel. *Figure 5.*

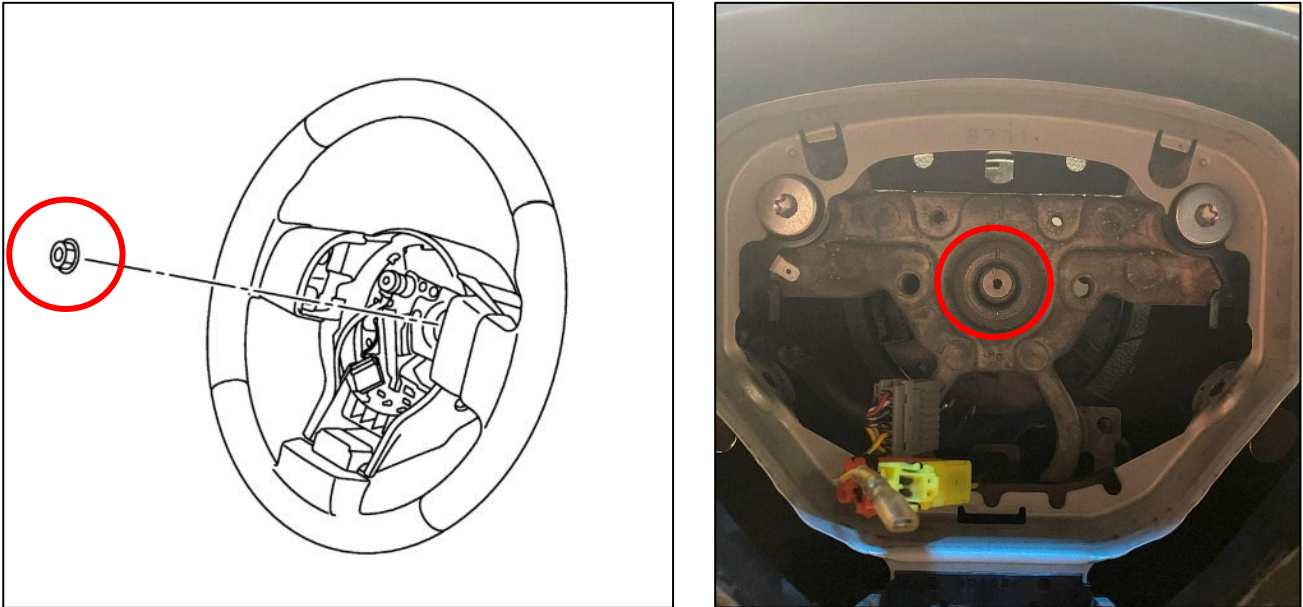


Figure 5

11. Using a Steering Wheel Puller, remove the OE Steering Wheel. If you do not have a Steering Wheel Puller, grab the Steering Wheel at the top and bottom and rock the wheel back and forth to loosen it. *Figure 6.*

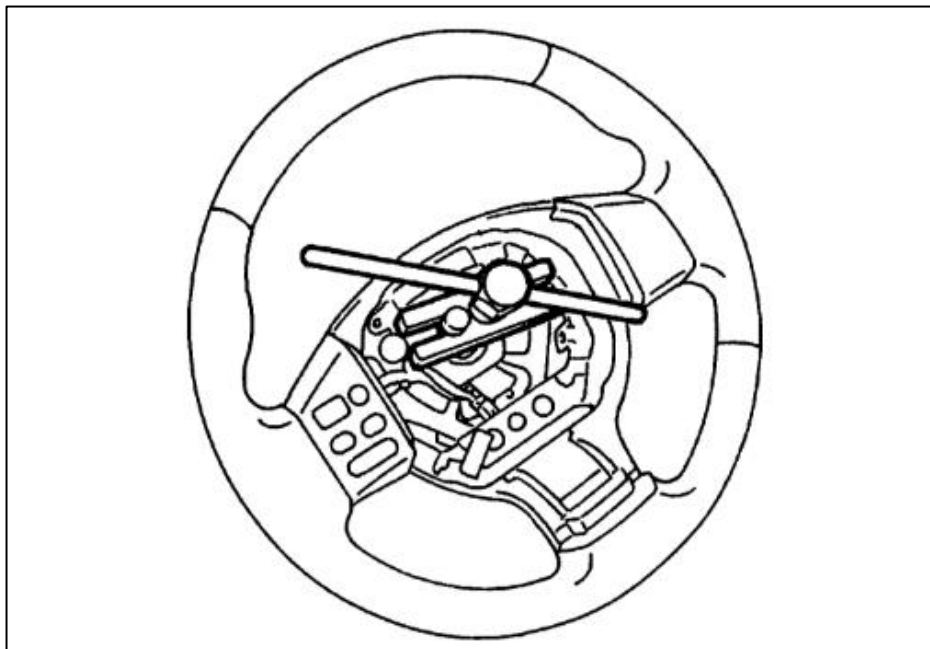


Figure 6

12. Pry the Plastic Trim off the back of the Steering Wheel. *Figure 7.*

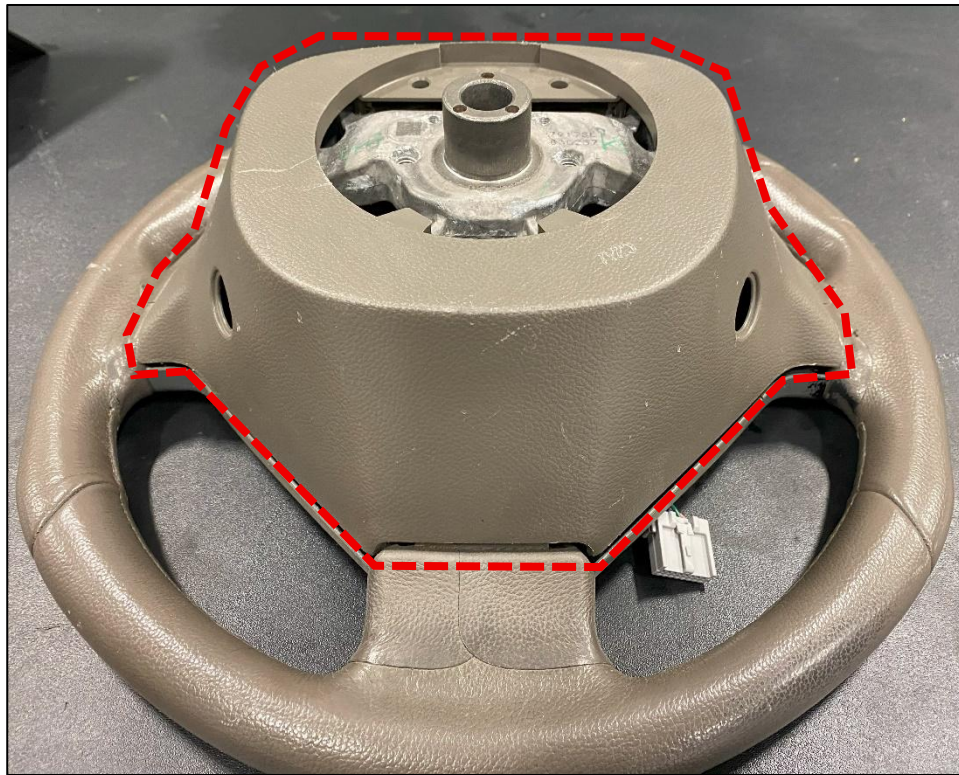


Figure 7

13. Remove the (2) two TORX screws securing the Airbag Panel to the Steering Wheel. *Figure 8.*

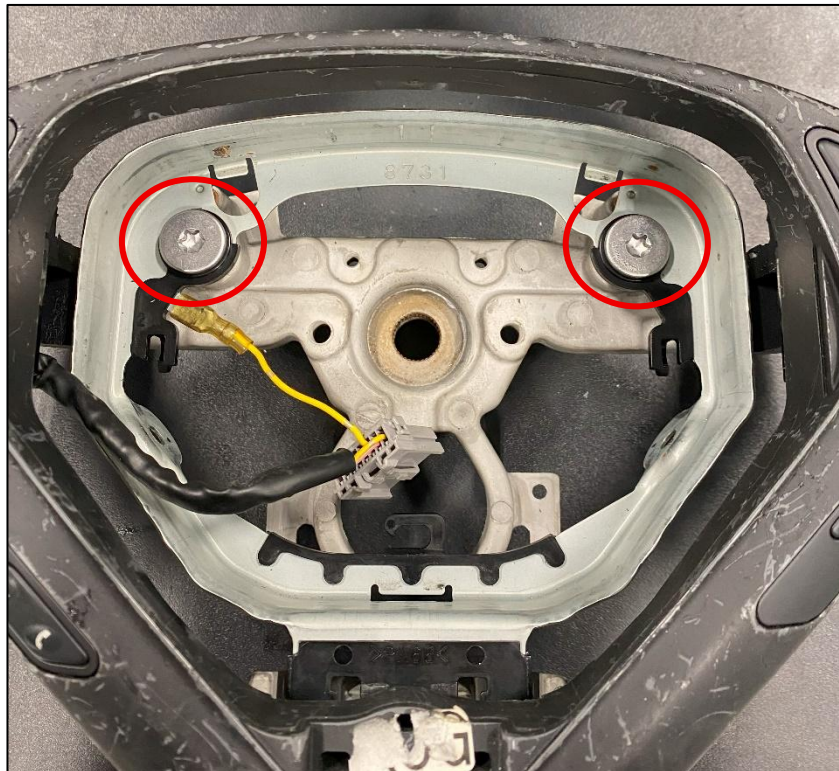


Figure 8

14. With the TORX Screws removed the Panel will raise up. Remove the Airbag Panel and the (2) two Springs below it. *Figure 9.*

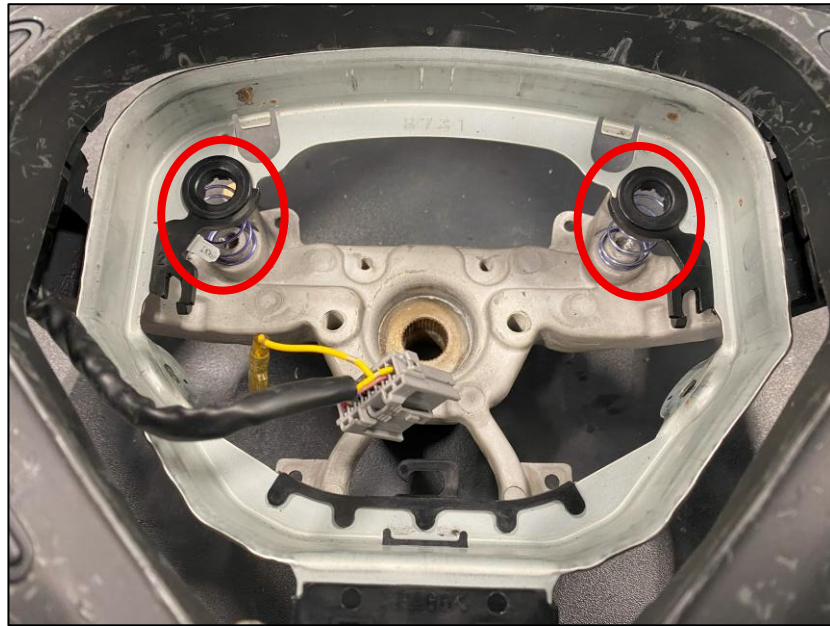


Figure 9

15. Remove the (3) three small screws securing the Wheel Buttons to the backside of the Steering Wheel. Retain this hardware. *Figure 10.*

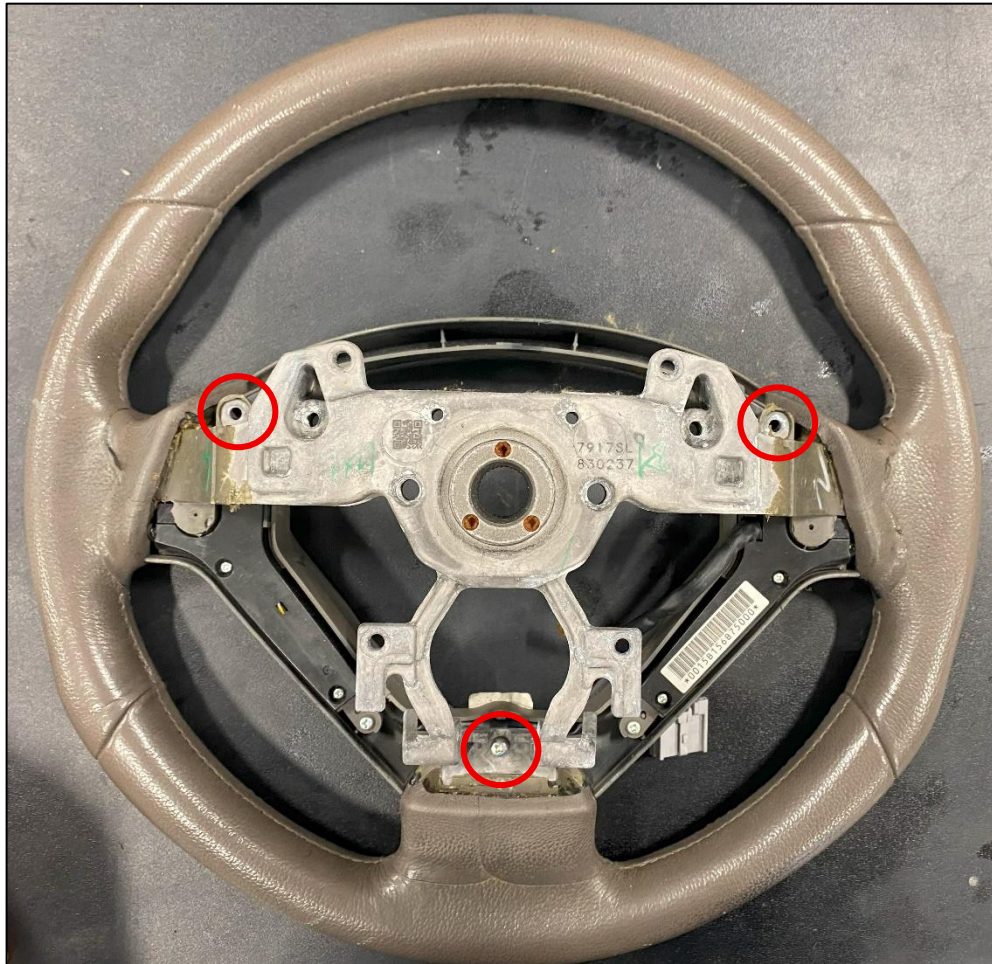


Figure 10

16. Remove the Steering Wheel Controls from the OE Steering Wheel. *Figure 11.*



Figure 11

17. Locate the new Steering Wheel. Place the Steering Wheel Controls in the Wheel as shown. Secure the Steering Wheel Controls to the new Wheel with the OE Hardware removed in *Step 15*. *Figure 12*.



Figure 12

18. Position the (2) two Springs and Airbag Panel into the new wheel as shown. Make sure the Airbag Panel is clipped into place at the bottom of the Steering Wheel. *Figure 13.*

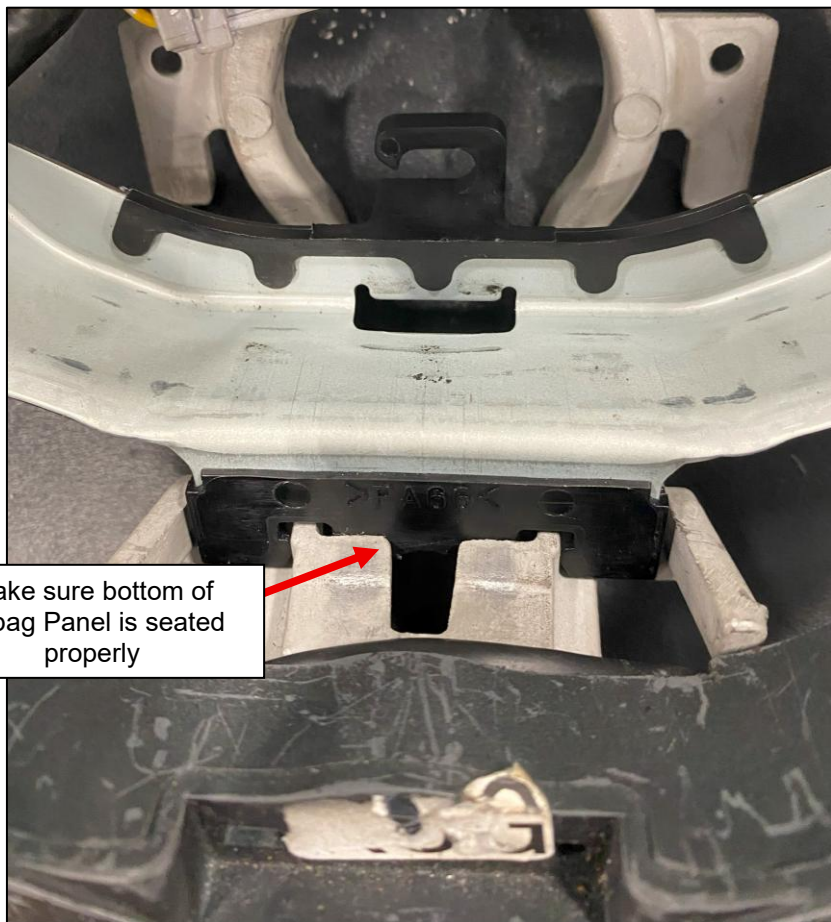
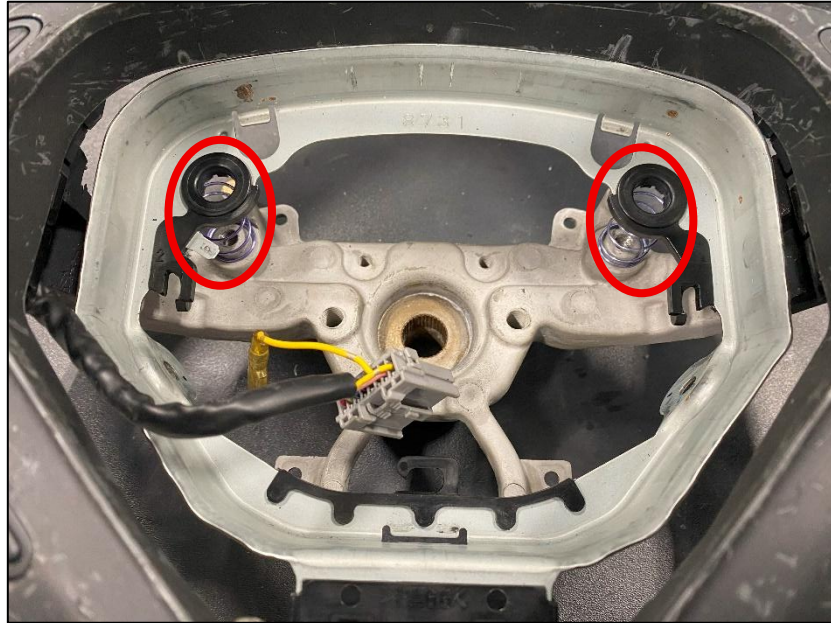


Figure 13

19. Install the (2) two TORX Screws removed in *Step 13* into the Airbag Panel to secure it to the Steering Wheel. The Nissan Factory Service Manual does not indicate a specific torque spec for these screws. Ensure that the Panel can move when pressed; if it cannot move, the horn will not function properly. *Figure 14.*

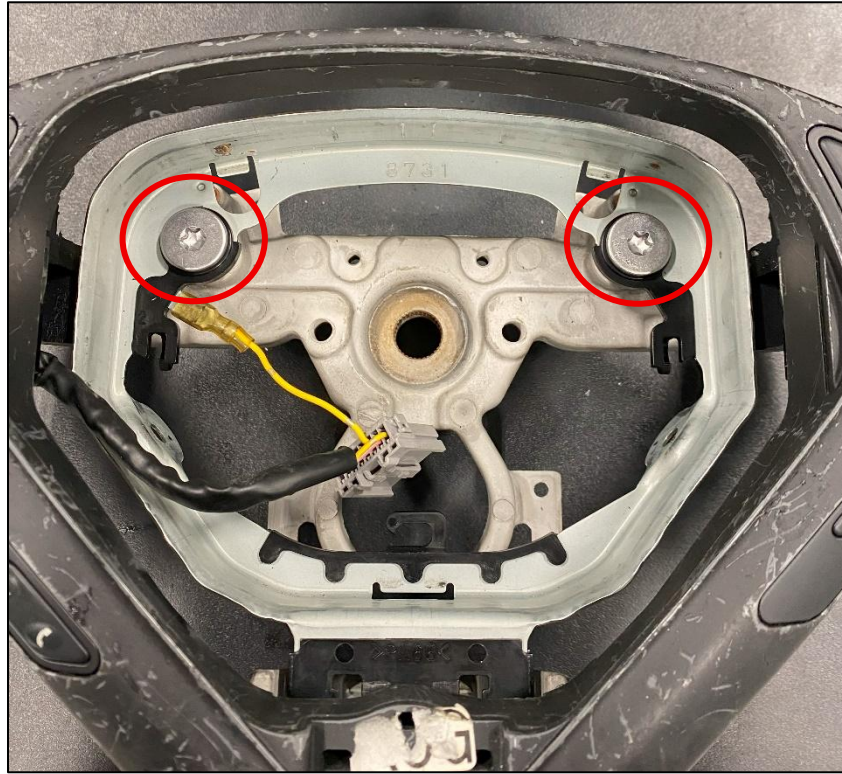


Figure 14

20. Route the Control Harness underneath the Airbag Panel and connect the Ground Wire to the Airbag Panel. *Figure 14.*

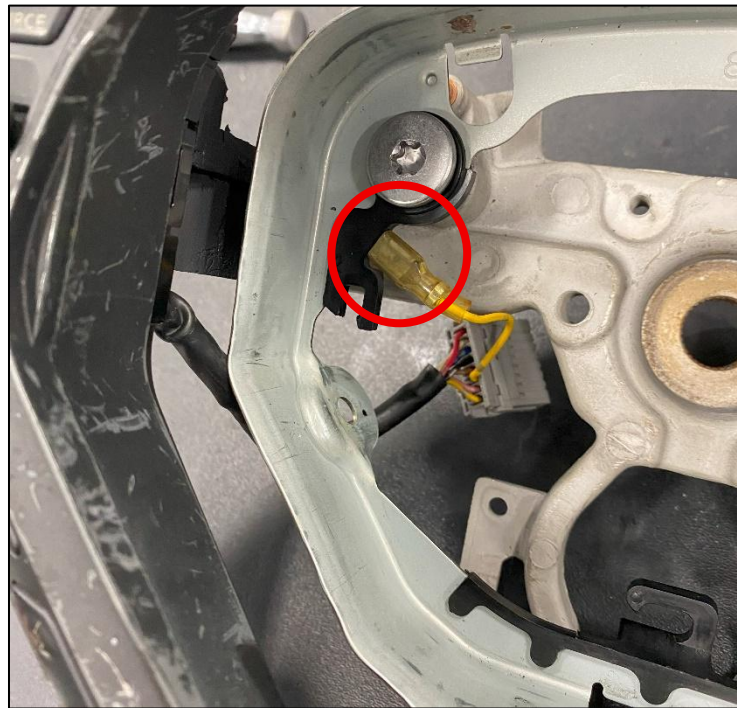


Figure 15

21. Reinstall the Plastic Trim onto the back of the Steering Wheel.
22. Install the Wheel onto the Steering Shaft. Make sure it is centered; there is a mark on the Steering Shaft that indicates the center.
23. Reinstall the Steering Wheel Nut removed in *Step 10*. Torque to **25 ft-lbs**.
24. Follow *Steps 6-9* in reverse to reinstall the Airbag and other Steering Wheel Components. The (2) two T30 TORX Screws will be torqued to **82 in-lbs**.
25. Reconnect the (-) **NEGATIVE** Battery Terminal.
26. Test the function of the Horn and ensure that the Steering Wheel is on Straight.

END

Additional Technical Support:
Contact Z1 Motorsports at info@z1motorsports.com
Or call 770-838-7777 between 9am and 6pm ET